

PARKRAY 



*you're home.*



hunterstoves  
GROUP



## Warmth With Purpose – Designed for Australian Living.

Shake off the winter chill and enjoy the welcoming warmth of a Parkray wood heater designed to suit the way you live and relax. With a clean, contemporary look and powerful performance, Parkray wood heaters are ideal for open-plan spaces or as a stylish feature in any room.

BACKED BY THE TRUSTED EXPERTISE OF HUNTER STOVES, A LEADING BRITISH MANUFACTURER WITH OVER 40 YEARS OF EXPERIENCE, PARKRAY BRINGS TOGETHER THOUGHTFUL DESIGN, EFFICIENT HEATING, AND QUALITY CRAFTSMANSHIP.

EVERY PARKRAY WOOD HEATER FEATURES TRIPLEBURN® TECHNOLOGY FOR A CLEANER, MORE EFFICIENT BURN, ALONG WITH SIMPLE, INTUITIVE CONTROLS THAT MAKE IT EASY TO MAINTAIN THE PERFECT TEMPERATURE. BUILT TO MEET HIGH ENVIRONMENTAL STANDARDS, YOU CAN ENJOY LONG-LASTING WARMTH WITH CONFIDENCE THAT YOUR WOOD HEATER IS SUPPORTING A CLEANER, HEALTHIER FUTURE.

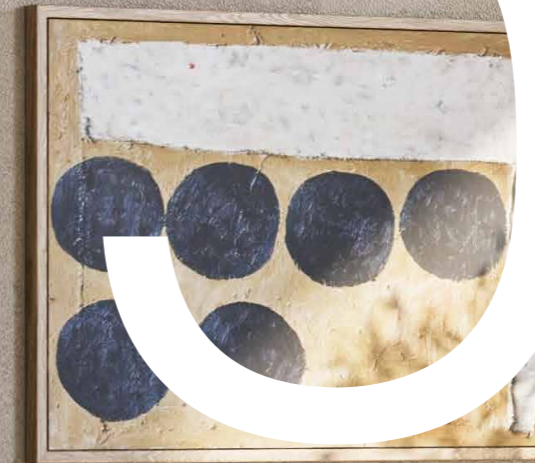
# 10 year warranty

ALL PARKRAY AUTHORISED RETAILERS PROVIDE YOU WITH AN EXTENDED 10 YEAR WARRANTY

WARRANTY	2
ASPECT 5	4 - 5
ASPECT 8	6 - 7
ASPECT 14	8 - 9
FEATURES AND OPTIONS	10 - 11
DIMENSIONS	12

# aspect 5

PARKRAY CONTEMPORARY



HIGHLY CONTROLLABLE AND BUILT FOR REAL-LIFE COMFORT, THE ASPECT 5 GIVES YOU INSTANT COMMAND OVER YOUR HOME'S WARMTH. EASILY ADJUSTABLE, THE WOOD HEATER CAN SHIFT FROM HIGH TO LOW OUTPUT IN A MATTER OF SECONDS, ALLOWING YOU TO CREATE THE PERFECT ATMOSPHERE AT ANY TIME OF DAY.

Despite its generous maximum heat output, the Aspect 5 maintains impressively low emissions of just 0.7g/kg, offering an eco-conscious solution that keeps you warm while minimising environmental impact.

## 2030 COMPLIANT



- 6" FLUE COLLAR
- TRIPLEBURN® TECHNOLOGY
- PRE-HEATED AIRWASH SYSTEM
- LARGE VIEWING WINDOW
- HANDLE OPTIONS:
  - BLACK CHROME AS STANDARD
  - STAINLESS STEEL



ASPECT 5

AVERAGE PEAK POWER	9.6kW
MAXIMUM AVERAGE HEAT OUTPUT	6.6kW
PEAK EFFICIENCY	72%

# aspect 8

PARKRAY CONTEMPORARY



THE ASPECT 8 DELIVERS IMPRESSIVE HEAT OUTPUT, MAKING IT IDEAL FOR WARMING LARGER LIVING SPACES.

Blending smart engineering with contemporary style, it keeps the whole family comfortable on cooler evenings. With a striking flame picture and flexible options, this model is ideal for transforming existing fireplace openings.

2030 COMPLIANT



- 6" FLUE COLLAR
- TRIPLEBURN® TECHNOLOGY
- PRE-HEATED AIRWASH SYSTEM
- LARGE VIEWING WINDOW
- HANDLE OPTIONS:
  - BLACK CHROME AS STANDARD
  - STAINLESS STEEL



ASPECT 8

AVERAGE PEAK POWER	11.3kW
MAXIMUM AVERAGE HEAT OUTPUT	8.1kW
PEAK EFFICIENCY	77%

# aspect 14

PARKRAY CONTEMPORARY

BRING YOUR HOME ALIVE WITH THE GLOW OF THE ASPECT 14 AND ITS TOASTY OUTPUT OF UP TO 8KW.

Great for heating larger family rooms, the Aspect 14 offers all the ambiance of a real fire, along with powerful tripleburn® technology. This contemporary stove burns beautifully and comes with a black handle as standard.

2030 COMPLIANT



- 6" FLUE COLLAR
- TRIPLEBURN® TECHNOLOGY
- PRE-HEATED AIRWASH SYSTEM
- LARGE VIEWING WINDOW
- HANDLE OPTIONS:
  - BLACK CHROME AS STANDARD
  - STAINLESS STEEL



ASPECT 14

AVERAGE PEAK POWER	14.1kW
MAXIMUM AVERAGE HEAT OUTPUT	8.0kW
PEAK EFFICIENCY	68%

ASPECT 14 / BLACK HANDLE

# aspect FEATURES

	ASPECT 5	ASPECT 8	ASPECT 14
Average peak power (kW)	9.6	11.3	14.1
Maximum average heat output (kW)	6.6	8.1	8.0
Peak Efficiency (%)	72	77	68
Emission Factor (g/Kg)	0.7	0.8	0.9
Log lengths (mm)	400	500	540
Weight (kg)	79	105	130

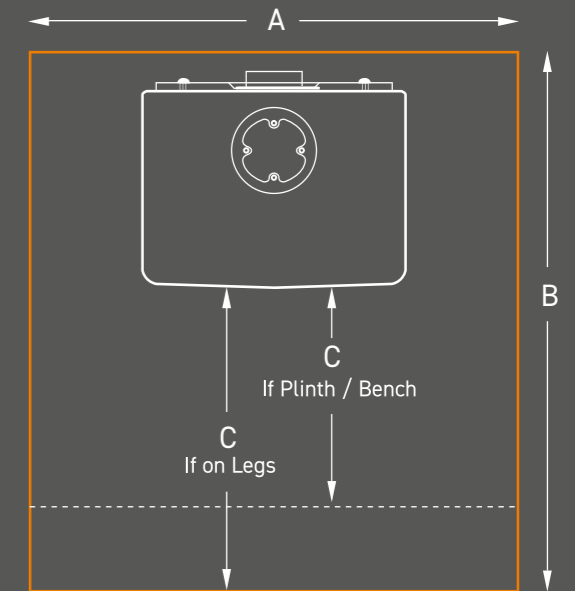
## FLUE REQUIREMENTS

### APPROVED FLUE SYSTEM

6" triple skin flue kit with 8" solid casing conforming to joint AS/NZS 2918:2018, Appendix B.

### FOR REDUCED REAR WALL CLEARANCE AN ADDITIONAL HEAT SHIELD IS REQUIRED AS PER BELOW:

- (a) 900mm high x 180° stainless steel rear flue shield fitted between the solid 8" casing and the 6" active pipe
- (b) Double half heat shield for first 900mm of default kit
- (c) Additional half heat shield in conjunction with 8" solid insulated flue kit



## HEARTH REQUIREMENTS

	ASPECT 5	ASPECT 8	ASPECT 14
A - Min Hearth Width (mm)	770	880	885
B - Min Hearth Depth (mm)	845 - Legs 675 - Plinth/Bench	900 - Legs 780 - Plinth 300 - Bench	1075 - Legs 905 - Plinth/Bench
C - Floor Protection Front (mm)	470 - Legs 300 - Plinth/Bench	470 - Legs 350 - Plinth 300 - Bench	470 - Legs 300 - Plinth/Bench
Non-Combustible Hearth Thickness* (mm)	42 - Legs 12 - Plinth/Bench	48 - Legs 12 - Plinth/Bench	48 - Legs 12 - Plinth/Bench

## WALL CLEARANCES

	ASPECT 5	ASPECT 8	ASPECT 14
Clearance distances to combustible materials with <b>additional</b> flue & appliance heat shield installed (mm)	Rear: 125 Side: 550 Corner: 325	Rear: 175 Side: 600 Corner: 325	Rear: 150 Side: 550 Corner: 300
Clearance distances to combustible materials without flue & appliance heat shield installed (mm)	Rear: 250 Side: 550 Corner: 325	Rear: 275 Side: 600 Corner: 325	Rear: 250 Side: 550 Corner: 300

\*The Thermal resistivity of the floor protector is 0.18m<sup>2</sup>.K/W for 42mm thick compressed board sheets.



ASPECT 5 / HIGH PLINTH / BLACK HANDLE

# aspect OPTIONS

## PLINTH

You can choose to have your Aspect wood heater fitted on a log plinth, which raises it off the floor and provides a practical space for storing logs. The plinth can be installed on a 12mm non-combustible hearth and reduces the required hearth depth to 300mm in front of the wood heater.

The Aspect 5 is available with a choice of a low or high log plinth, while the Aspect 8 and Aspect 14 are available with a high log plinth option only.



STOVE	HEIGHT	DEPTH	WIDTH
ASPECT 5	150/225	362	494
ASPECT 8	225	405	617
ASPECT 14	225	539	667

## BENCH

The short bench has a length of 800mm, a depth of 415mm and a height of 345mm, and is suitable for the Aspect 5 only.

The long bench has a length of 1195mm, a depth of 510mm and a height of 345mm, and is suitable for the aspect 5, aspect 8 and aspect 14.



## DIRECT AIR

All of our Aspect stoves come with the option of a direct air kit.

## DEEPER LOG RETAINER

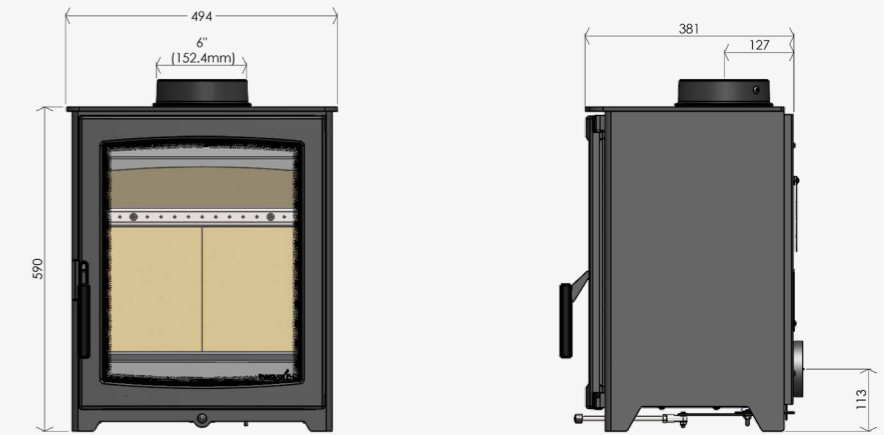
Choose deeper log guards at 93mm on the Aspect 5 and 101mm on Aspect 8 and 14, compared to the standard 53mm.

## BRUSHED STAINLESS STEEL HANDLE

A black chrome handle is supplied as standard with an optional brushed stainless steel upgrade available (as pictured above).

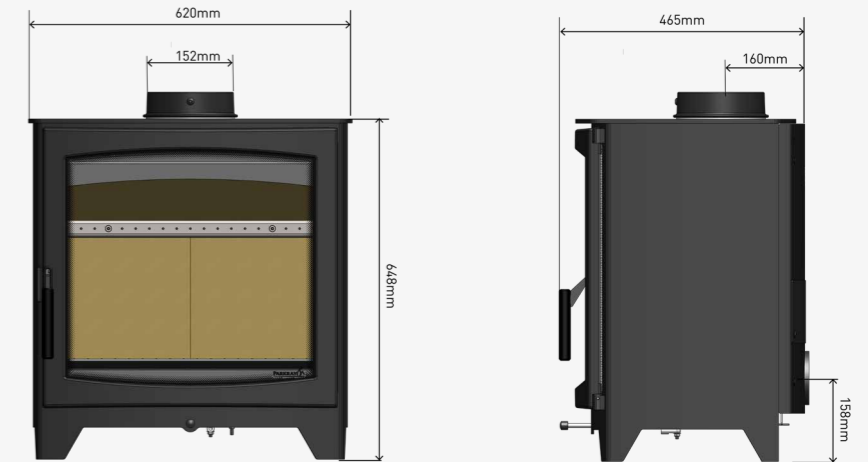
## ASPECT 5

# 5



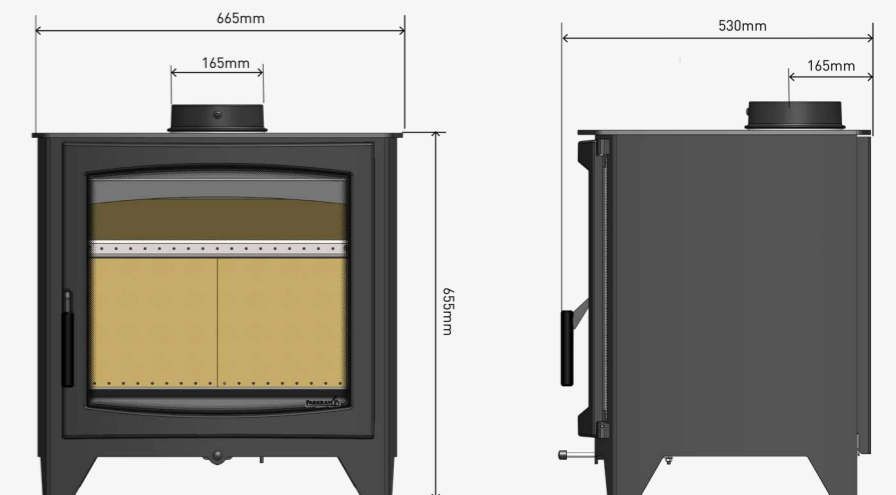
## ASPECT 8

# 8



## ASPECT 14

# 14





ASPECT 8 / BLACK HANDLE



HUNTER STOVES AUSTRALIA

DISTRIBUTED IN AUSTRALIA BY DRAGON WHOLESALING PTY LTD

UNIT 4 16 LEXINGTON DRIVE BELLA VISTA NSW 2153

PH. 1800 064 234 / (02) 8824 9122



hunterstoves  
GROUP